



### Main

Range of product	Harmony iPC
Product or component type	Multi-touch screen
Processor name	Intel Atom E3827 dual core at 1.75 GHz
Chipset type	Intel Atom SoC
Free slots	1 Internal SATA HDD/SSD 1 CFast
Display size	10.1 inch
Display colour	267000 colours
Luminance	300 cd/m <sup>2</sup>
Pixel resolution	4096 x 4096
Video controller type	Intel HD Graphics
Operating system	Windows 10 IoT Enterprise 64 bit multi-language
Software package	EcoStruxure secure connect advisor annual subscription cyber security license not included EcoStruxure Operator Terminal Expert run time HMI license not included EcoStruxure Machine SCADA Expert run time HMI/SCADA on configured offer only EcoStruxure augmented operator advisor server augmented operator license not included

### Complementary

Number of points	5
Terminal type	Touchscreen display
Memory type	4 GB RAM DDR3 internal
Data storage equipment	500 GB extension back side enterprise hard disk
Aspect ratio	16:9
Display type	LED Colour TFT LCD
Display resolution	1280 x 800 pixels WSVGA
Backlight lifespan	50000 hours
View angle horizontal x vertical	160 x 160°
Touch panel	Projected capacitive technology (PCT)
Type of cooling	Passive Fanless
Watchdog timer	1...255 ms

Disclaimer: This documentation is not intended as a substitute for and is not to be used for determining suitability or reliability of these products for specific user applications

Number of slots	1 mini PCI Express full-size
[Us] rated supply voltage	24 V DC +/- 20 % 100...240 V AC with additional adaptor HMIYPSOMAC1
[In] rated current	1.9 A
Mechanical robustness	Hardness anti-scratch 7H
Local signalling	Buzzer LED (green) for on LED (orange) for stand-by
Function available	Operate with water on screen
Width	283.1 mm
Height	202.3 mm
Depth	85.5 mm
Cut-out dimensions	274.6 (+/- 0.7) x 193.8 (+/- 0.4)
Net weight	2.5 kg
Display size	10" wide multi-touch
Main type	Optimised

## Environment

IP degree of protection	IP66 front panel:
Product certifications	CE EAC AS/NZS CCC RCM C-Tick
Standards	CSA C22.2 No 60950 UL 60950 IEC 61000-6-4 CISPR 11 IEC 60950 FCC part 15 class A IEC 61000-6-2
Directives	2004/108/EC - electromagnetic compatibility 2012/19/EU - WEEE directive 2011/65/EU - RoHS directive 2006/95/EC - low voltage directive 1907/2006/EC - REACH directive
Pollution degree	2
Ambient air temperature for operation	0...55 °C SSD 0...55 °C Cfast card 0...45 °C HDD 0...45 °C Mini PCIe
Ambient air temperature for storage	-20...60 °C
Relative humidity	10...95 % non-condensing
Operating altitude	2000
Vibration resistance	1 gn (f = 5...500 Hz)HDD 2 gn (f = 5...500 Hz)SSD 2 gn (f = 5...500 Hz)Cfast card

## Packing Units

Package 1 Weight	2.600 kg
Package 1 Height	61.000 mm
Package 1 width	202.000 mm
Package 1 Length	283.000 mm

## Offer Sustainability

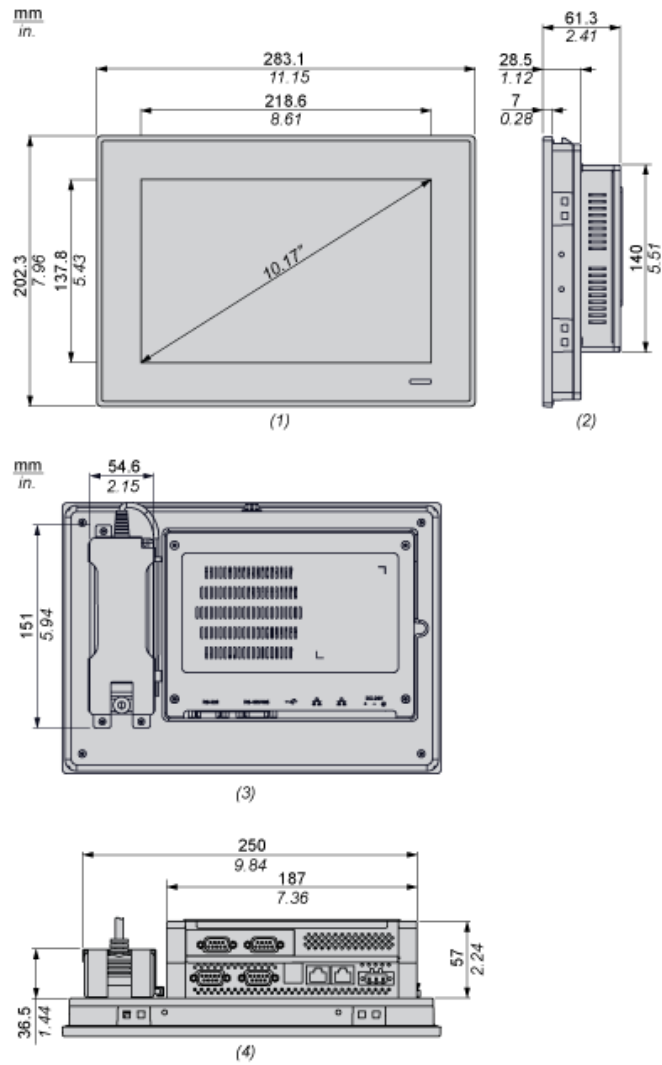
EU RoHS Directive	Pro-active compliance (Product out of EU RoHS legal scope) <a href="#">EU RoHS Declaration</a>
Mercury free	Yes

---

RoHS exemption information	<a href="#">Yes</a>
China RoHS Regulation	<a href="#">China RoHS declaration</a>
WEEE	The product must be disposed on European Union markets following specific waste collection and never end up in rubbish bins

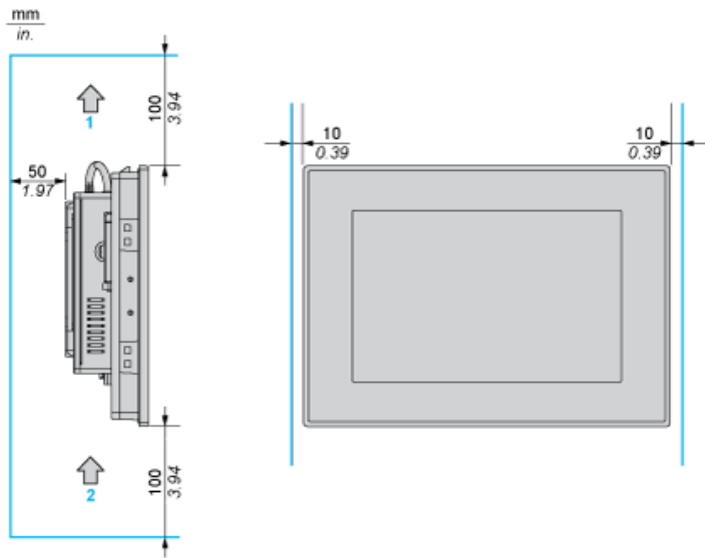
---

Dimensions



- (1) Front view
- (2) Right view
- (3) Back view
- (4) Bottom view

## Spacing Requirements

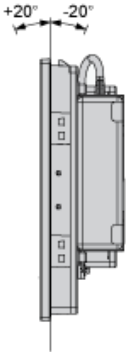


- 1 : Air out
- 2 : Air in

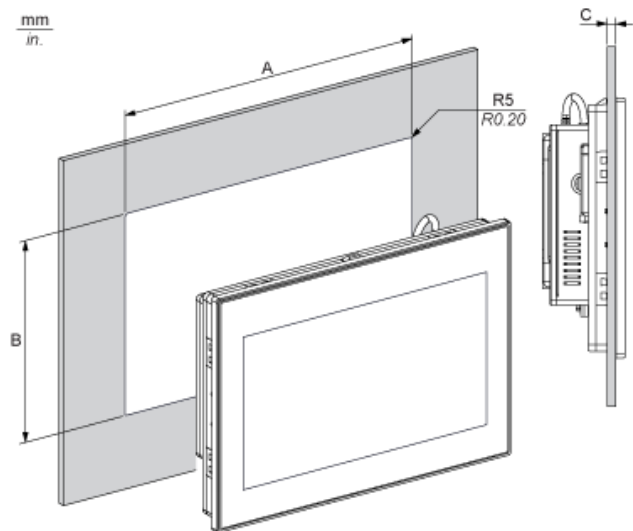
---

Mounting Orientation

---



Panel Cut Dimensions



A		B		C		R	
mm	in.	mm	in.	mm	in.	mm	in.
274.6	10.81	193.8	7.63	2...6	0.08...0.23	5	0.20